

**HONDA VTX1800C (later models with coolant reservoir on left side of engine
(behind chrome cover))****Parts list for CC - 4550**

<u>Item</u>	<u>Qty</u>	<u>Part Number</u>	<u>Description</u>
1	1	MCSU 400C	Computer
2	1	MCS 4558A	Computer mount bracket
	4		M4 x 8 pan head screw
	4		M4 Nyloc nut
		<u>MCS 1612</u>	<u>Vacuum actuator assembly</u>
3	1	MCS 574	Vacuum actuator
4	1	MCS 1612A	Actuator mount bracket
	3		6 gauge x 1/2" pan head self tap screw
	1		6 gauge x 3/8" pan head self tap screw
5	1	MCS 574D BS	Solenoid housing dust cover
	1	MCS 574F	Rubber grommet 3/8" x 1/2"
6	2		M8 x 20 high tensile plated bolt
7	2		8mm plated flat washer
8	1	MCS 574E BS	Diaphragm housing dust cover
		<u>MCS 1617</u>	<u>Vacuum hose assembly</u>
9	1	MCS 032	Vacuum stop valve 4mm Vacuum hose
10	1	MCS 031	4mm Vacuum Tee connector
		<u>MCS 4554</u>	<u>Switch assembly</u>
11	1	MCS 820	Switch
12	1	MCS 830C	Switch bracket
	4		4 gauge x 1/2" pan head self tap screw
13	1	MCS 4551	Wiring loom
a			Computer plug (26 pin)
b			Fuse holder (3 amp fuse)
c			Tach sensor terminal (yellow wire)
d			Speed sensor connectors (co-axial wire)
e			Actuator plug (4 pin)
f			Power & brake sensor (orange and grey wires)
g			Ground connector (black wire)
h			Clutch sensor (blue wire)
i			Control switch plug (6 pin)
		<u>MCS 4555</u>	<u>Cable Interface Unit (CIU) assembly</u>
14			
15	1	MCS 4555A	CIU housing
16	1	MCS 003F	Actuator spool
17	1	MCS 4556	Dual spool
18	1	MCS 003H	Bush
19	1	MCS 003K	End Cap
20	1	MCS 003Q	CIU decorative cover
21	1	MCS 4555B	CIU mounting bracket
22	1		5 x 50 stainless steel countersunk head cap screw

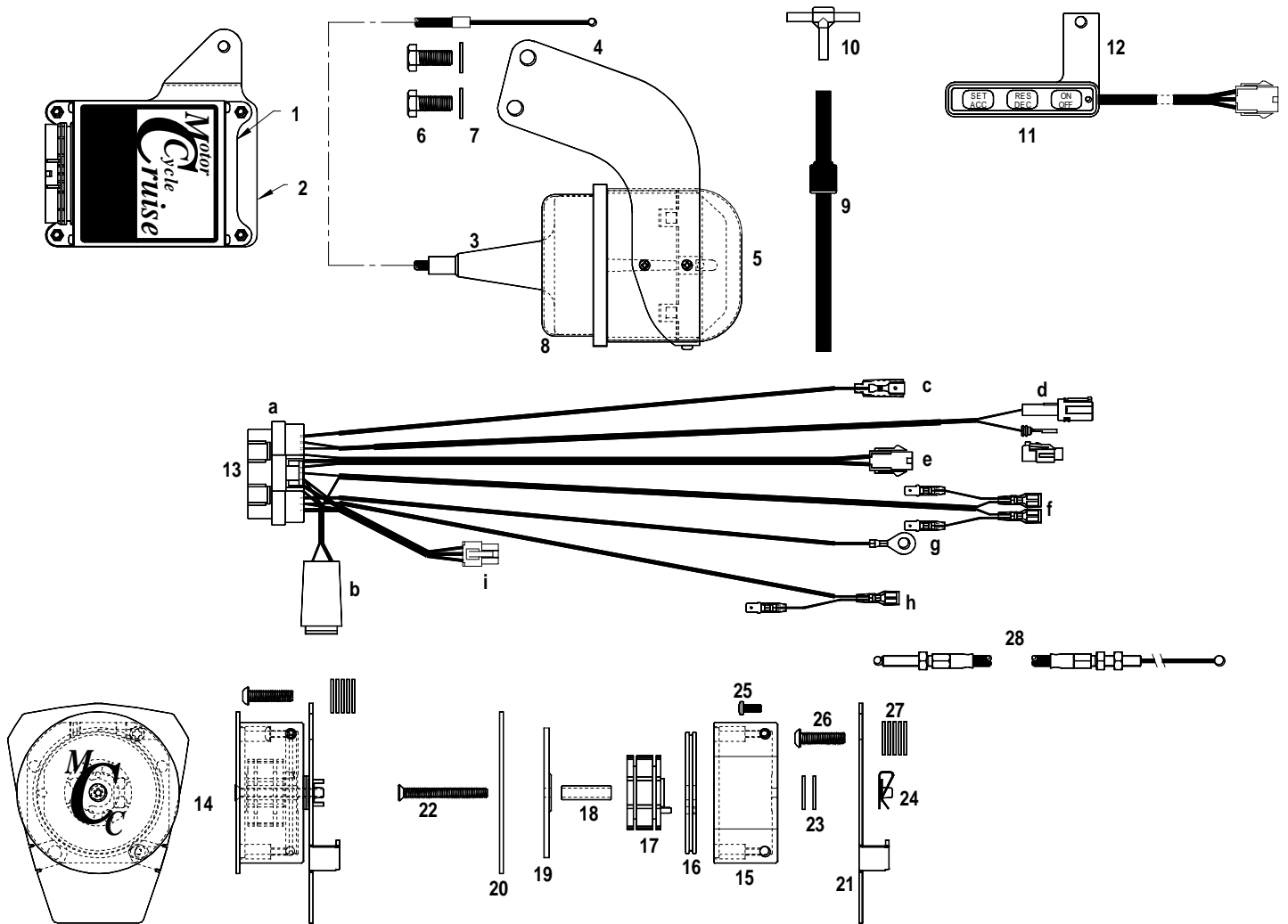
MotorCycle Cruise V2.83 © - Honda VTX1800C

23	2		5mm x 19mm flat washer
24	1	F20029	M5 guard clip
25	1		M4 x 10 pan head screw (actuator cable retainer)
26	2		M6 x 25 high tensile button head screw
27	10		6mm x 19mm zinc plate flat washer (5 per bolt)
28	1	MCS 360	Carburettor cable
	10		100mm cable ties
	6		200mm cable ties
	2		300mm cable ties

Instructions

Trouble shooting guide

Warranty sheet



Dual spool hole marking

